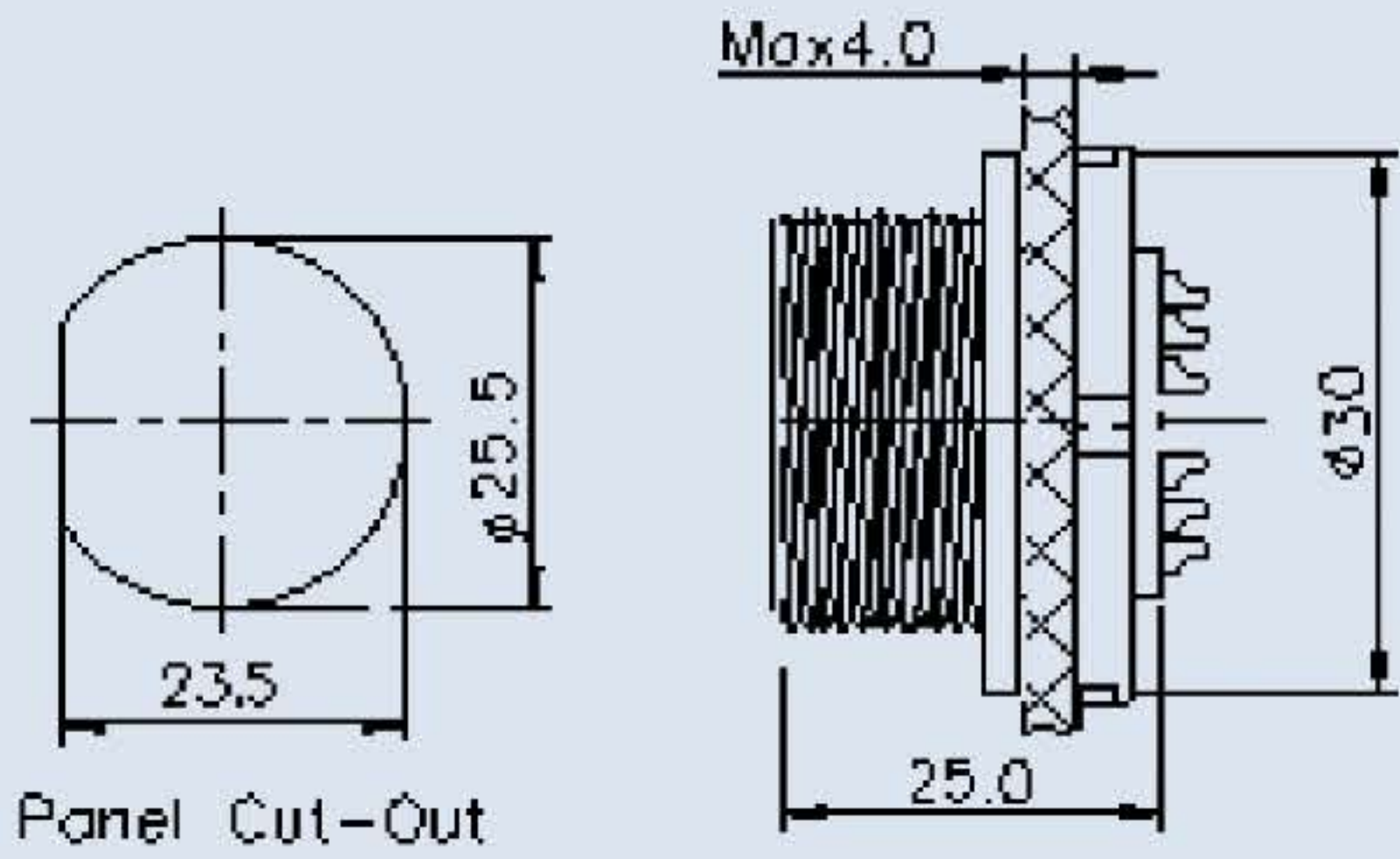
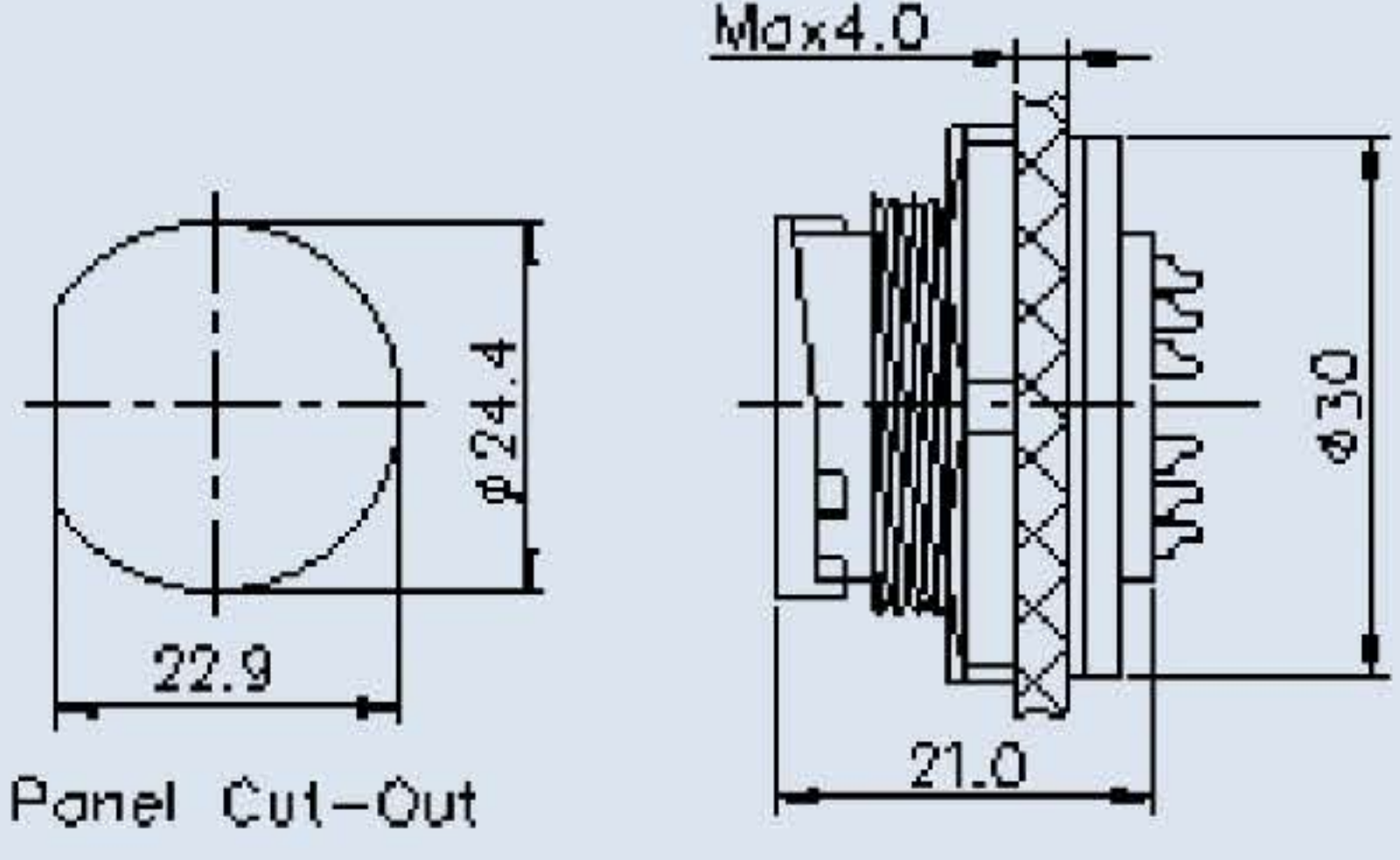


LARGE Series , Panel

Description	Rear Panel Mount Male Screw Type, Solder	Front Panel Mount Female Lock Type, Solder
Figure		

Drawing		
---------	---	--

Part-No.	Rear Panel Mount		Front Panel Mount	
	Contacts	Part-Number	Contacts	Part-Number
	2	M25BMR02	2	HYF-300A03-F-02
	3	M25BMR03	3	HYF-300A03-F-03
	4	M25BMR04	4	HYF-300A03-F-04
	5	M25BMR05	5	HYF-300A03-F-05
	6	M25BMR06	6	HYF-300A03-F-06
	3+9	M25BMR3+9	3+9	HYF-300A03-F-3+9
	24	M25BMR24	24	HYF-300A03-F-24

Specifications

Number of Contacts	2	3	4	5	6	3+9	24
Wire Gauge	4.0mm ²		2.5mm ²			1.5mm ² +0.2mm ²	0.3mm ²
Panel Thickness	Max. 4.0mm						
Environmental Protection	IP67						
Mechanical Life	500 mating cycles						
Operating Temperature	- 45°C - 105°C						
DC Voltage Rating	500V					300V	
Rated Current(40°C)	35A			20A		20A+3A	5A