

## MINI Series , Panel Screw

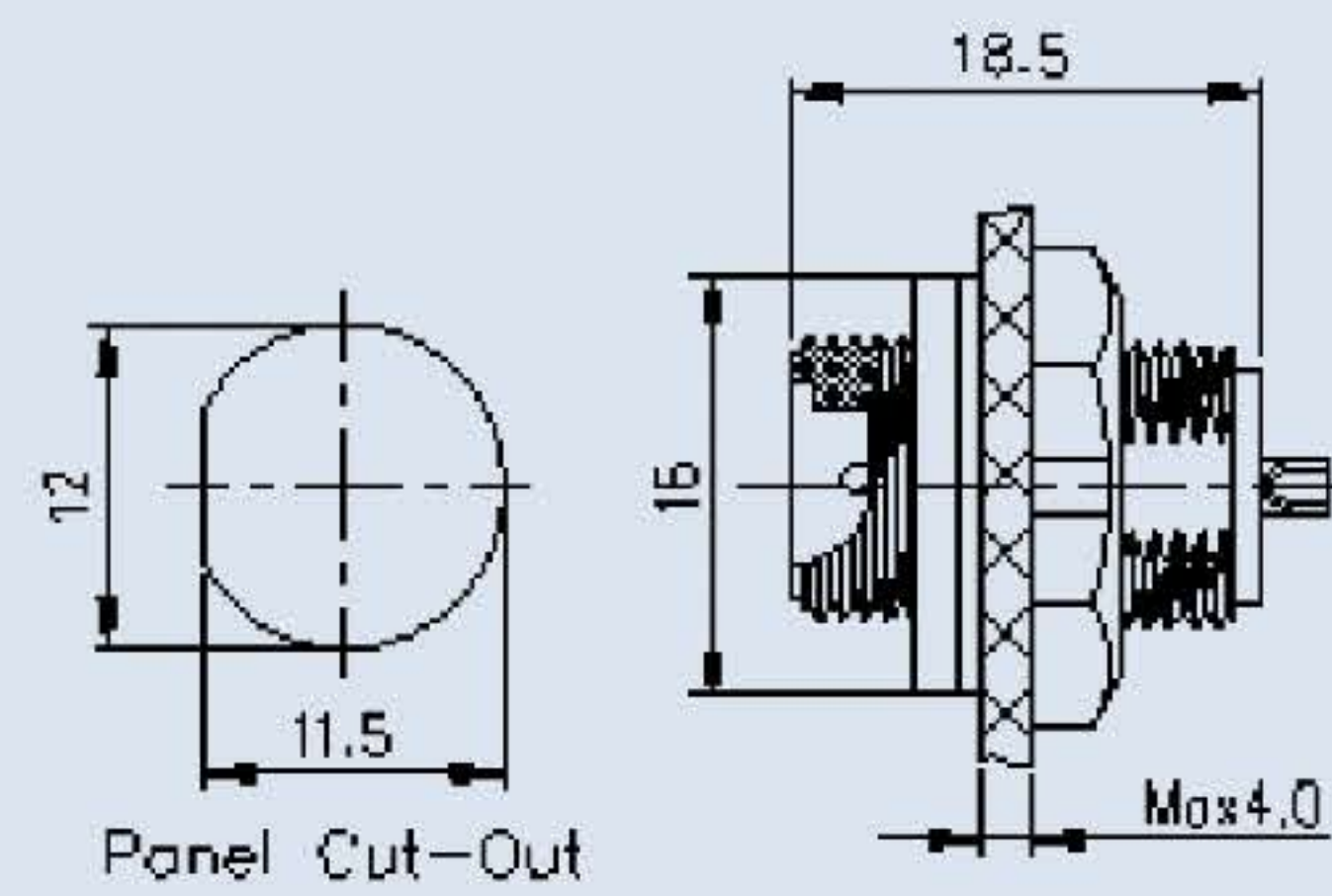
Description

Rear Panel Mount Type

Figure



Drawing



Part-No.	Contacts	Part-Number
	2	M12BMR02
	3	M12BMR03
	4	M12BMR04
	5	M12BMR05
	6	M12BMR06
	7	M12BMR07
	8	M12BMR08

## Specifications

Number of Contacts	2	3	4	5	6	7	8
Wire Gauge	0.519mm <sup>2</sup> (20AWG)			0.34mm <sup>2</sup> (22AWG)			
Panel Thickness	Max. 4.0mm						
Environmental Protection	IP67						
Mechanical Life	1000 mating cycles						
Operating Temperature	- 45°C - 105°C						
DC Voltage Rating	500V						
Rated Current(40°C)	5A						