

MIDDLE Series ,Lock

Description

Rear Panel Mount
Male Lock Type, Solder

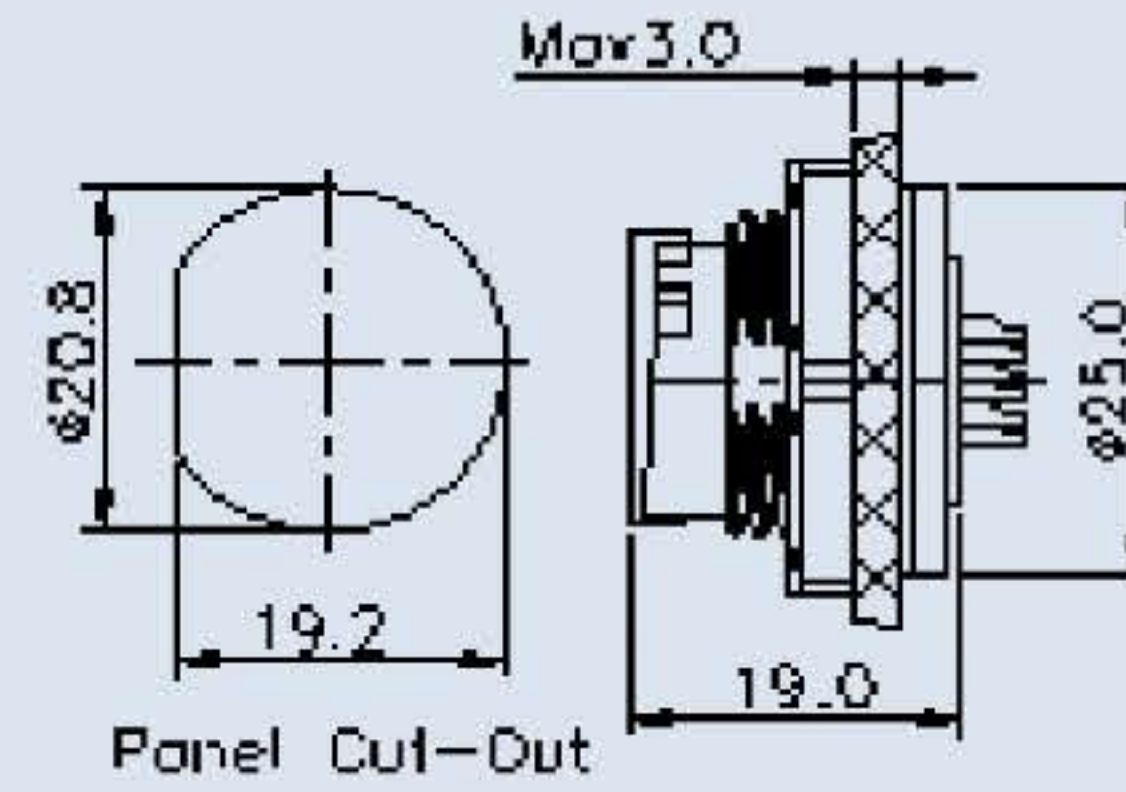
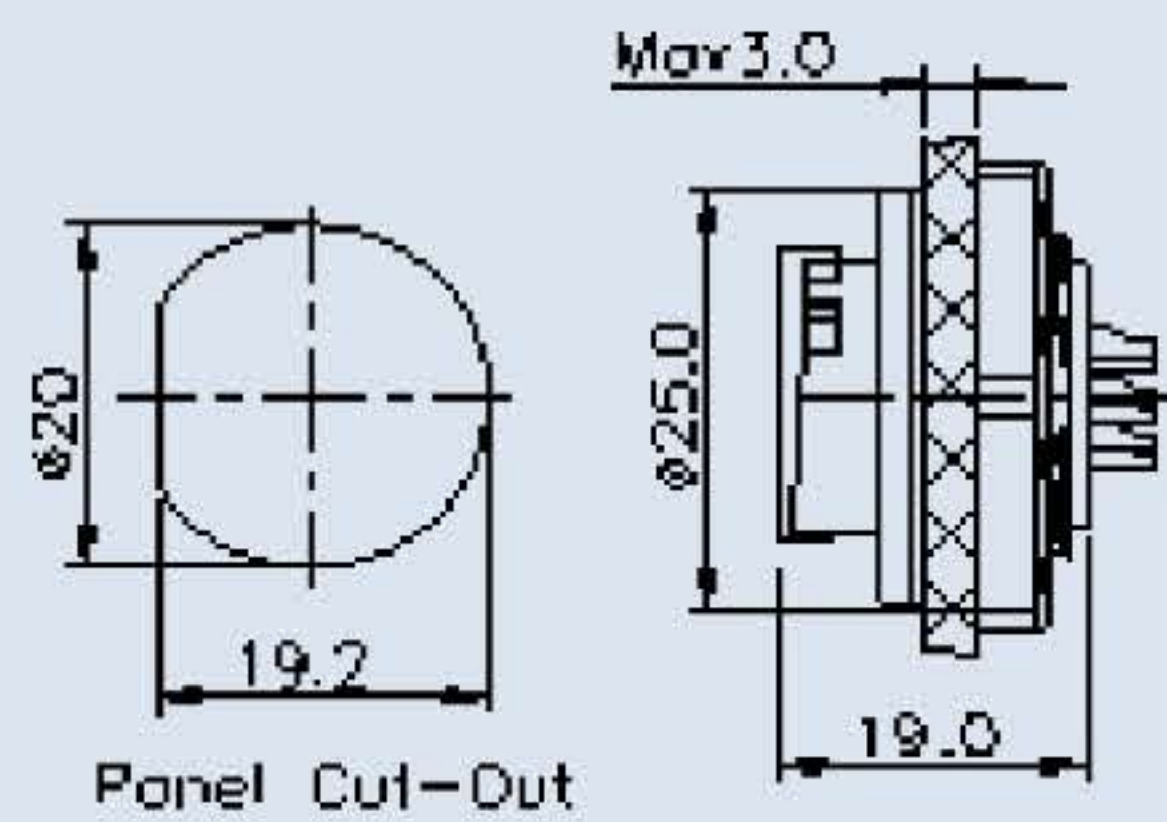
Front Panel Mount

Female Lock Type, Solder

Figure



Drawing



Part-No.

Contacts	Part-Number
2	HYF-280A05-M-02
3	HYF-280A05-M-03
4	HYF-280A05-M-04
5	HYF-280A05-M-05
6	HYF-280A05-M-06
8	HYF-280A05-M-08
9	HYF-280A05-M-09
12	HYF-280A05-M-12
14	HYF-280A05-M-14

Contacts	Part-Number
2	M19BF02
3	M19BF03
4	M19BF04
5	M19BF05
6	M19BF06
8	M19BF08
9	M19BF09
12	M19BF12
14	M19BF14

Specifications

Number of Contacts	2	3	4	5	6	8	9	12	14
Wire Gauge	2.5mm ² (14AWG)		1.0mm ² (17AWG)	0.75mm ² (18AWG)		0.34mm ² (22AWG)		0.34mm ² (24AWG)	
Panel Thickness	Max. 3.0mm								
Environmental Protection	IP67								
Mechanical Life	500 mating cycles								
Operating Temperature	- 45°C - 105°C								
DC Voltage Rating	500V					400V	300V		
Rated Current(40°C)	20A				5A				