

LARGE Series , Cable To Cable

Description

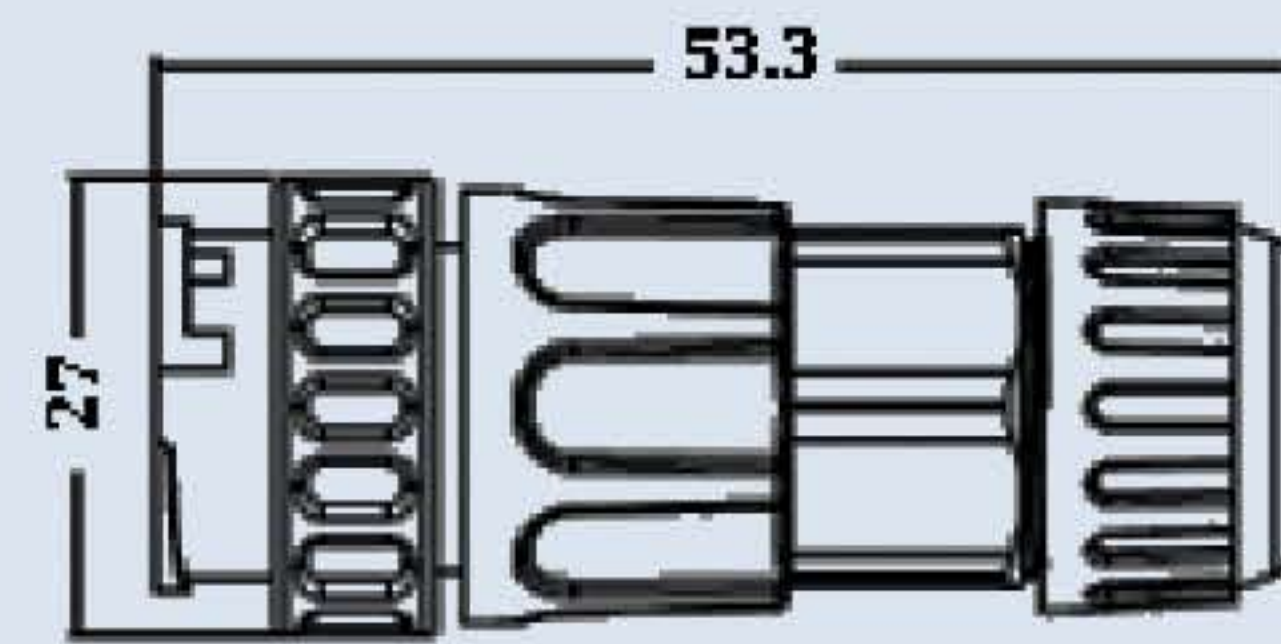
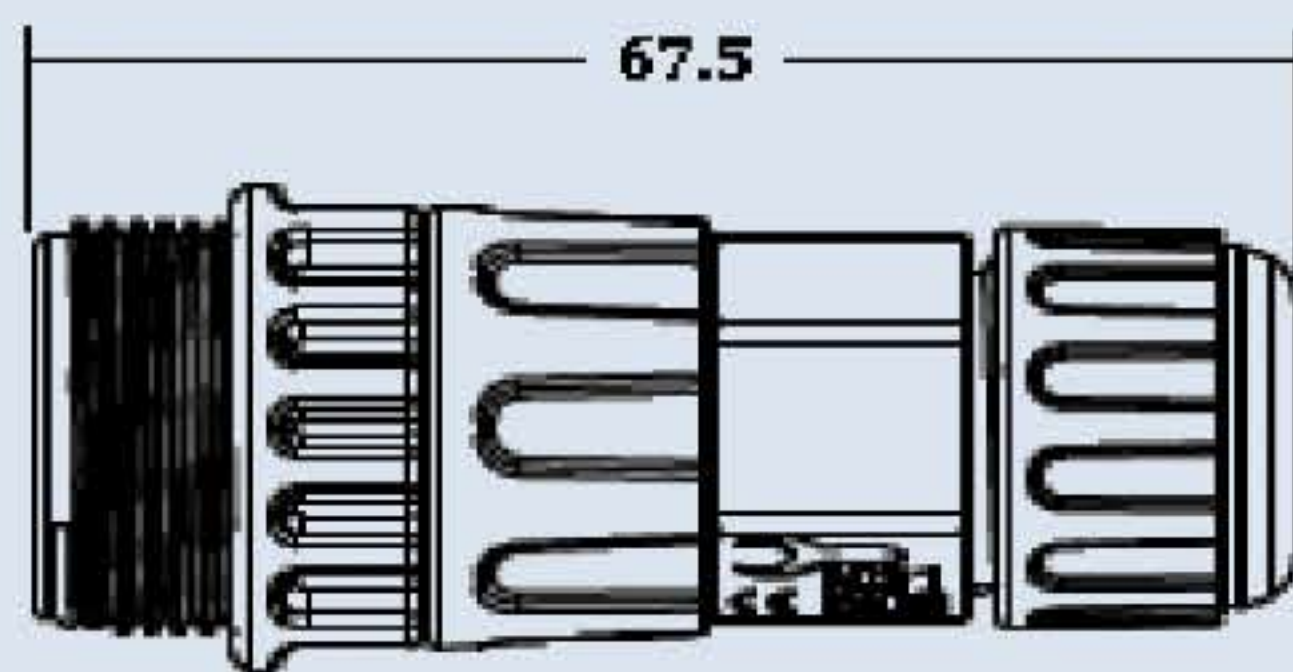
Male Screw Type

Female Lock Type

Figure



Drawing



Part-No.

Contacts	Cable Range(mm)	Part-Number
2	7.0 - 12	M25C02-1
3	7.0 - 12	M25C03-1
4	7.0 - 12	M25C04-1
5	7.0 - 12	M25C05-1
6	7.0 - 12	M25C06-1
3+9	7.0 - 12	M25C3+9-1
24	7.0 - 12	M25C24

Contacts	Cable Range(mm)	Part-Number
2	7.0 - 12	HYF-300A01-F-02
3	7.0 - 12	HYF-300A01-F-03
4	7.0 - 12	HYF-300A01-F-04
5	7.0 - 12	HYF-300A01-F-05
6	7.0 - 12	HYF-300A01-F-06
3+9	7.0 - 12	HYF-300A01-F-3+9
24	7.0 - 12	HYF-300A01-F-24

Specifications

Number of Contacts	2	3	4	5	6	3+9	24
Wire Gauge	4.0mm ²		2.5mm ²			1.5mm ² +0.2mm ²	0.3mm ²
Cable Range	7.0-12mm						
Environmental Protection	IP67						
Mechanical Life	500 mating cycles						
Operating Temperature	- 45°C - 105°C						
DC Voltage Rating	500V					300V	
Rated Current(40°C)	35A			20A		20A+3A	5A