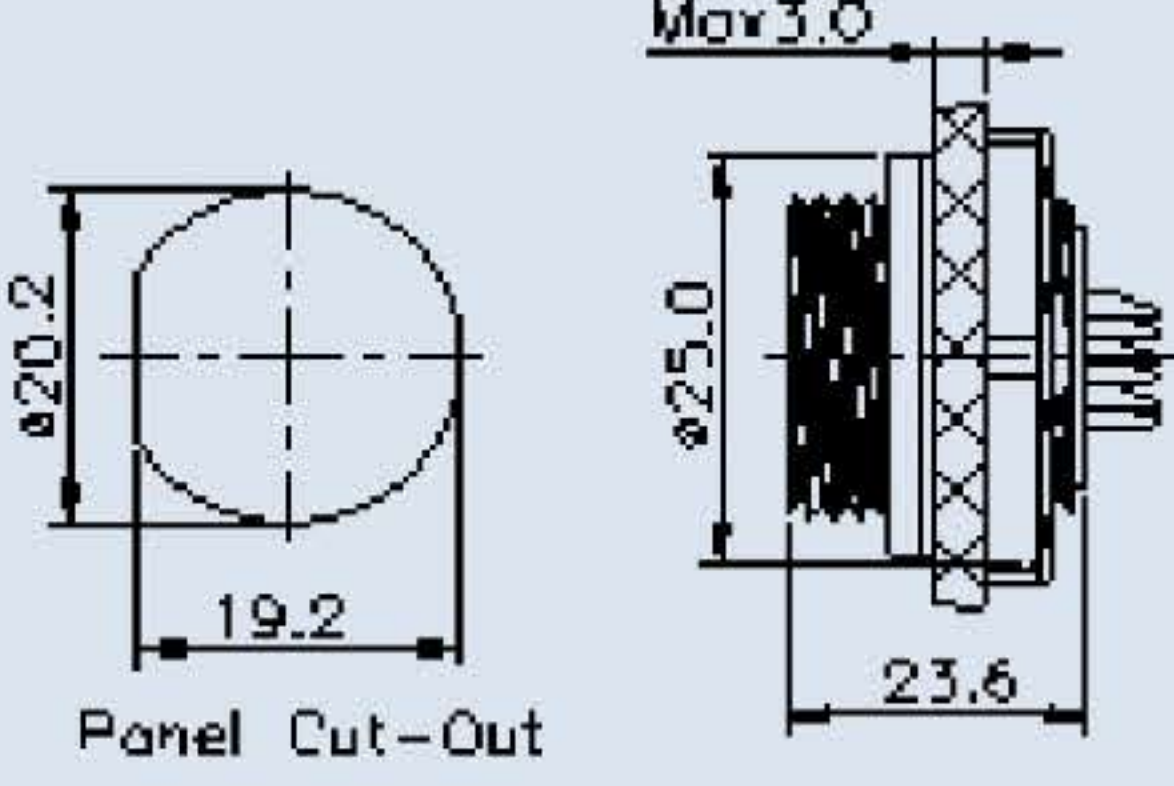
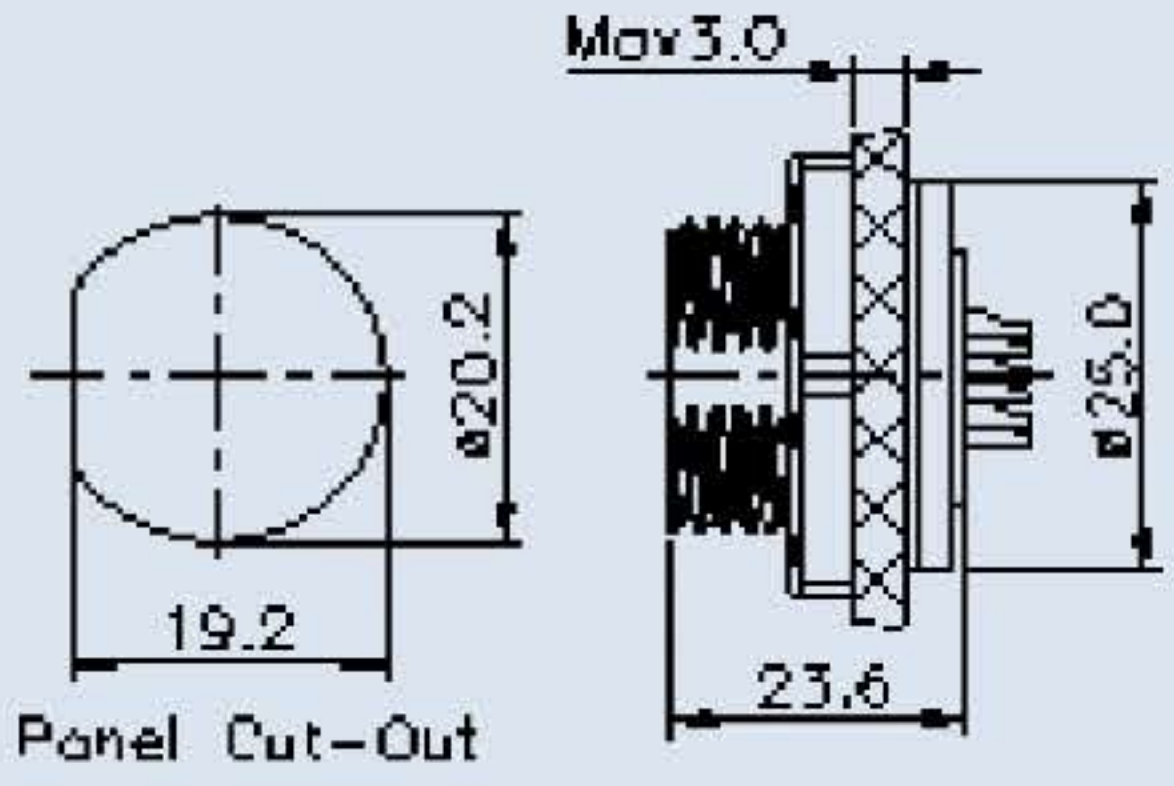


## MIDDLE Series ,Screw

Description	Rear Panel Mount Female Screw Type, Solder	Front Panel Mount Male Screw Type, Solder
Figure		

Drawing		
---------	-------------------------------------------------------------------------------------	--------------------------------------------------------------------------------------

Part-No.	Rear Panel Mount (Female)		Front Panel Mount (Male)	
	Contacts	Part-Number	Contacts	Part-Number
	2	M19BFR02	2	M19BFF02
	3	M19BFR03	3	M19BFF03
	4	M19BFR04	4	M19BFF04
	5	M19BFR05	5	M19BFF05
	6	M19BFR06	6	M19BFF06
	8	M19BFR08	8	M19BFF08
	9	M19BFR09	9	M19BFF09
	12	M19BFR12	12	M19BFF12
	14	M19BFR14	14	M19BFF14

## Specifications

Number of Contacts	2	3	4	5	6	8	9	12	14
Wire Gauge	2.5mm <sup>2</sup> (14AWG)		1.0mm <sup>2</sup> (17AWG)	0.75mm <sup>2</sup> (18AWG)		0.34mm <sup>2</sup> (22AWG)		0.34mm <sup>2</sup> (24AWG)	
Panel Thickness	Max. 3.0mm								
Environmental Protection	IP67								
Mechanical Life	500 mating cycles								
Operating Temperature	- 45°C - 105°C								
DC Voltage Rating	500V			400V			300V		
Rated Current(40°C)	20A			5A					