


MINI Series , Cable To Cable

Description

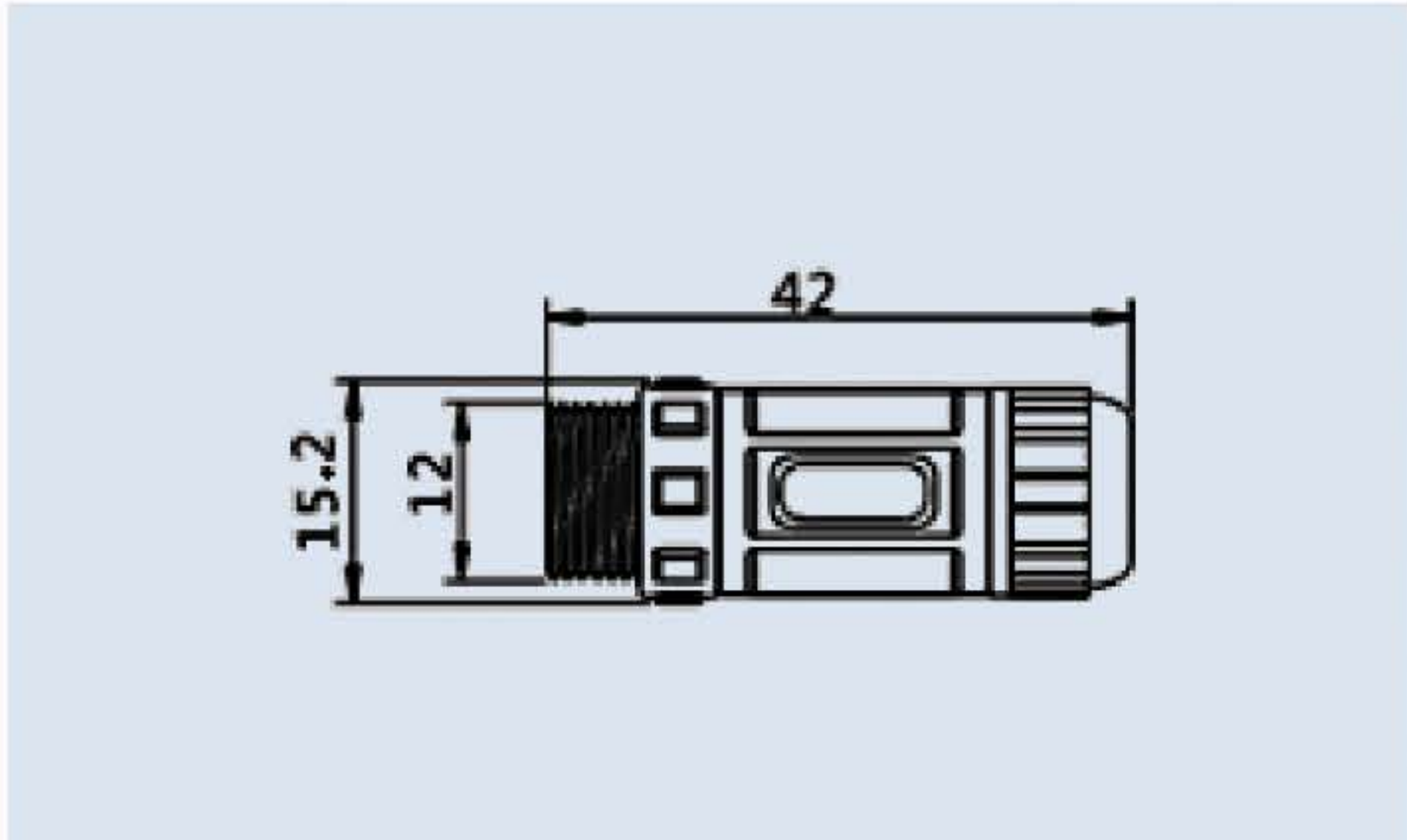
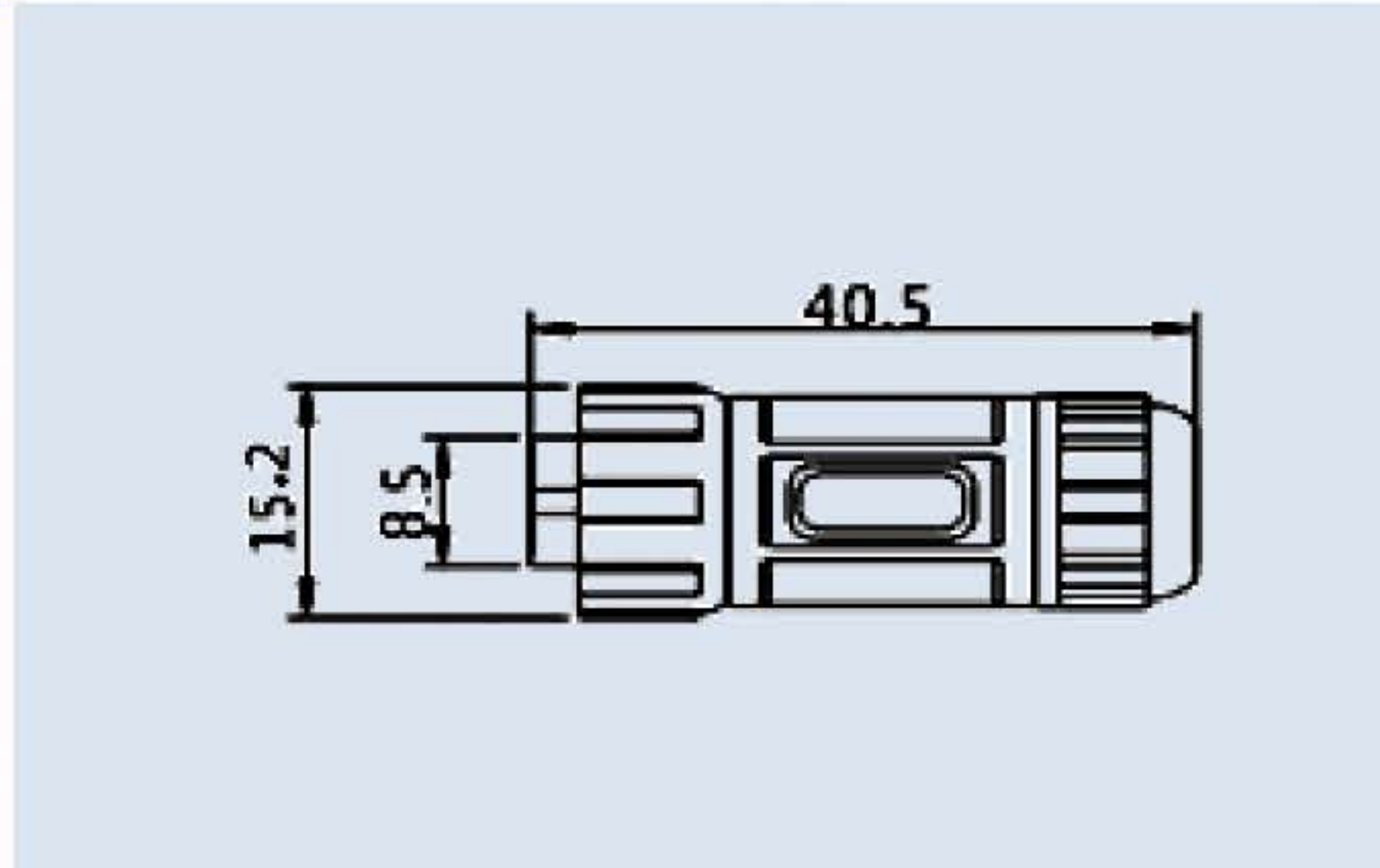


Male Screw Type



Figure

Drawing



Part-No.

Contacts	Cable Range(mm)	Part-Number
2	4.5-6	M12C02
3	4.5-6	M12C03
4	4.5-6	M12C04
5	4.5-6	M12C05
6	4.5-6	M12C06
7	4.5-6	M12C07
8	4.5-6	M12C08

Contacts	Cable Range(mm)	Part-Number
2	4.5-6	M12C02-1
3	4.5-6	M12C03-1
4	4.5-6	M12C04-1
5	4.5-6	M12C05-1
6	4.5-6	M12C06-1
7	4.5-6	M12C07-1
8	4.5-6	M12C08-1

Specifications

Number of Contacts	2	3	4	5	6	7	8
Wire Gauge	0.519mm ² (20AWG)			0.34mm ² (22AWG)			
Cable Range	4.5-6mm						
Environmental Protection	IP67						
Mechanical Life	500 mating cycles						
Operating Temperature	- 45°C - 105°C						
DC Voltage Rating	500V						
Rated Current(40°C)	5A						